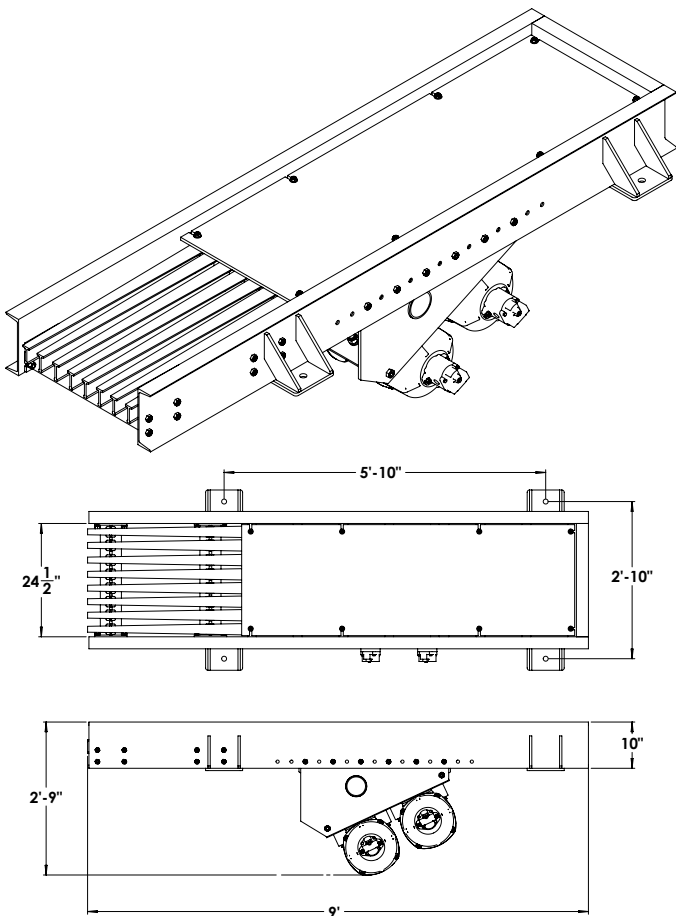


PITBULL

24108 VIBROTABLE FEEDER

A heavy-duty, universal unit which can absorb large surge loads from a variety of support equipment.



The Pitbull 24108 Vibrotatable Feeder is ruggedly constructed for dependable, continuous operation.

The Pitbull 24108 Vibrotatable Feeder is a linear style directional feeding unit which produces a consistent flow of product for further processing in the production line. The feeder sends a wide variety of materials onto crushers evenly and continuously. As the product moves forward, it passes over a set of grizzly bars, which helps pre-screens materials and increases the practical handling capacity of the whole production line.

Request a quote or demo today!



PITBULL

24108 VIBROTABLE FEEDER



Heavy-duty adjustable and replaceable grizzly bars are available in fabricated steel design



Provides an even, regulated flow of material for downstream processing



Rugged and robust construction can absorb large surge loads

Features

- Most popular for the ability to carry heavy shock loads from the support equipment to the intended delivery point
- Set of grizzly bars help pre-screen material and increases the practical handling capacity
- Widths available from 18" through 36"
- Lengths from 84" through 168"
- Economical to own with minimal maintenance
- Grizzly bar spacing easily adjustable
- Receiving table manufactured using AR plate and is easily replaceable

Specifications

Operating Weight (as shown)	1590 lbs
Twin Hydraulic Vibrators (1200 RPM each Max)	Each vibrator requires 5 GPM at up to 2500 PSI max
Eccentric Weights	Adjustable
Vibrator Bearings	Greaseable (using manufacturer suggested grease)
Vibrator Carrier	Adjustable
Available Option	Electrically operated vibrators

Request a quote or demo today!

